

Desking

Premium Desking

Ergonomic / Sit Stand Twin Bench - NEWERG 31

Three stage multi motor height adjustable twin bench with 4 memory control and anti-collision with standard white frame and surge protector adapter.



Single Table Top Size Options (mm)

1200 x 750

1400 x 750

1600 x 750

Table Top Colour Options

*Refer to the Table
Top Colour option page

Leg Colour Options



White

Technical Specifications

Max Load Capacity (kg)	125
Speed	38mm/s
Power Type	100-240 V
Decibel	<50db

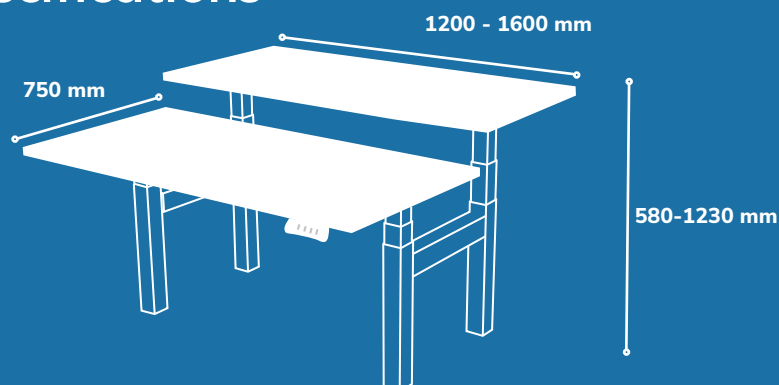


Table Top Colour Options

Standard Colour Options



Havard Cherry



White

Special Order Colour Options With A Minimum Order Quantity of 10 pieces



Forkstone Grey



American Walnut



Normandy



Storm Grey



Congo



Brookhill



African Wenge



Napoca

*Refer to our main material catalogue for the full range of options available .



Sales
sales@antarc-ke.com

0733 503 500 | 0734 503 500

No 62, Muthithi Road, Westlands

www.antarc-ke.com



Antarc Workspaces

