

Desking

Premium Desking

Ergonomic / Sit Stand Conference (I-Frame) - ERG 13

Three stage dual motor height adjustable table with 4 memory control and anti-collision with standard white frame and surge protector adapter.



Table Top Size Options (mm)

2400 x 1200

Table top color Options

*Refer to the Table
Top Colour option page
(Page 52)

Leg Color Options



White

Technical Specifications

Max Load Capacity (kg)	125
Speed	38mm/s
Power Type	100 - 200 V
Decibel	<50db

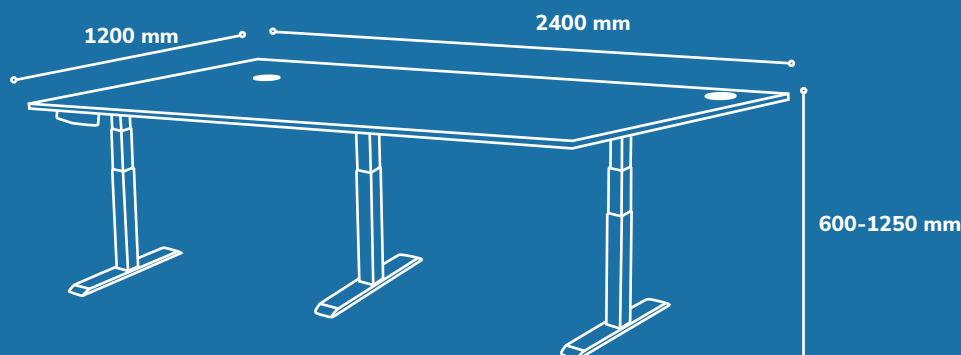


Table Top Colour Options

Standard Colour Options



Havard Cherry



White

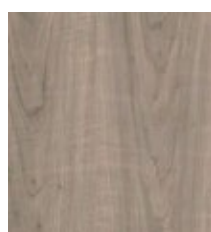
Special Order Colour Options With A Minimum Order Quantity of 10 pieces



Forkstone Grey



American Walnut



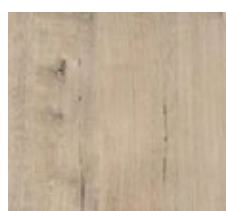
Normandy



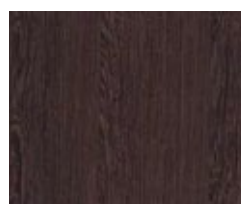
Storm Grey



Congo



Brookhill



African Wenge



Napoca

*Refer to our main material catalogue for the full range of options available .



Furrtastic Workspaces



Sales

sales@antarc-ke.com

0733 503 500 | 0734 503 500

No 62, Muthithi Road, Westlands

www.antarc-ke.com



Antarc Workspaces

