

Seating

Multipurpose Chair



Lapis

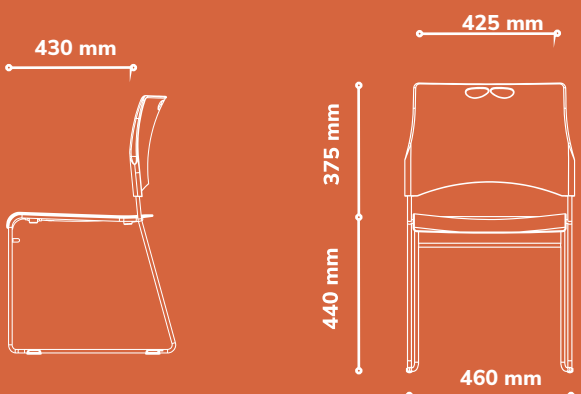
Lapis is a multi-purpose seating with high-density stacking capability. Up to 40 chairs per sq m. can be stacked to save storage space. Its ultra-thin profile enables dense stacking and visually displays Lapis' lightness and modern clean lines. Lapis utilises a one-piece or two-piece shell of coloured polypropylene moulded with an integrated hand grasp to ease portability. The sled base welded of sturdy 11mm steel solid rod is chrome-plated for resistance from heavy usage and stacking. Clear polycarbonate glides prevents marking on hard floors.



OCSAMP013



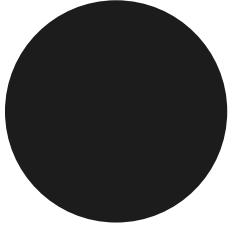
Technical Specifications



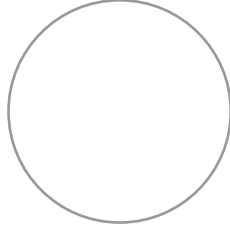
Chair Colour Options

Select a chair colour that resonates with your workspace .

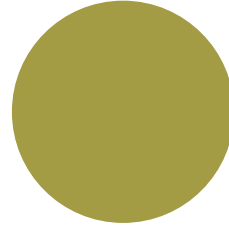
*Refer to our main material catalogue for the full range of options available .



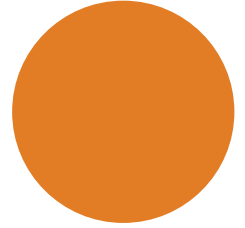
Black



White



Olive



Mango



**Lapis
is easily
stackable**



Sales

sales@antarc-ke.com

0733 503 500 | 0734 503 500

No 62, Muthithi Road, Westlands

www.antarc-ke.com



Antarc Workspaces

